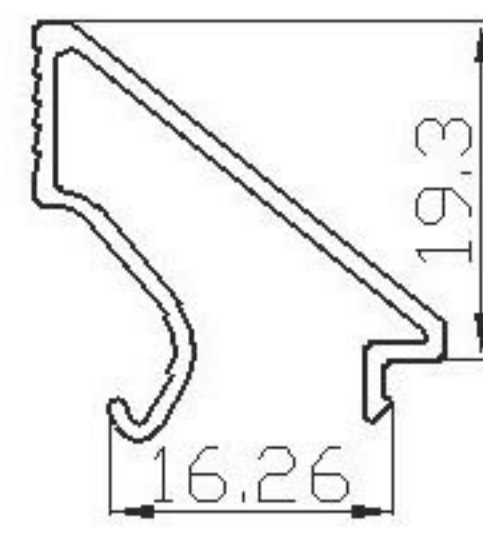


FOSHAN PENG DONG ALUMINUM CO.,LTD

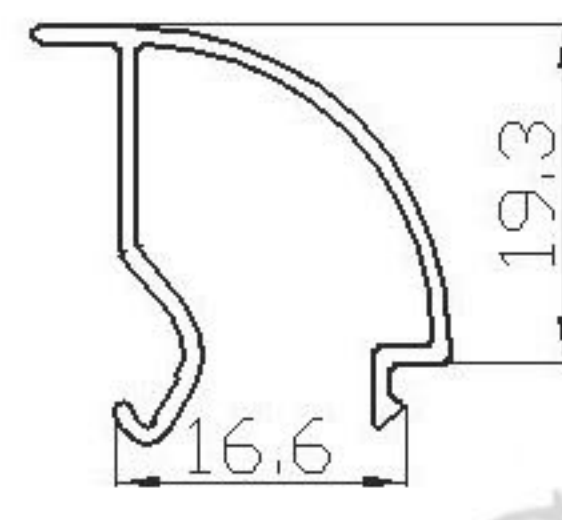
Email: backup@rx-alu.com

Tel:+86-757-83217977 / 83217223

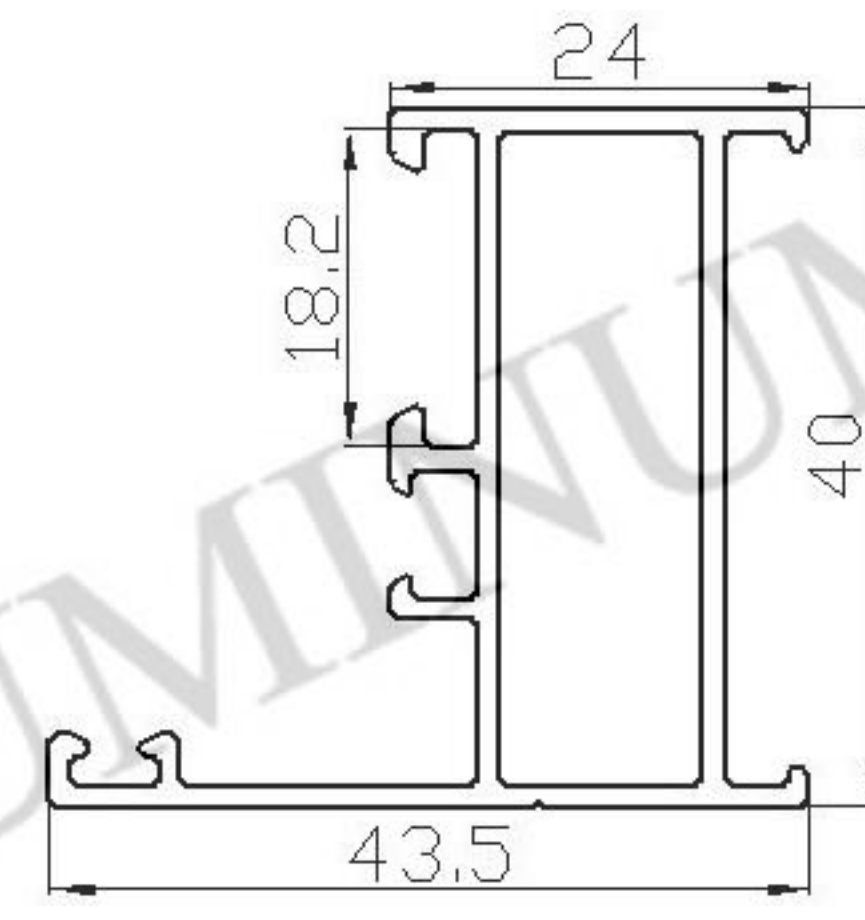
MAURITIUS SERIES 1 (WINDOWS AND DOORS)



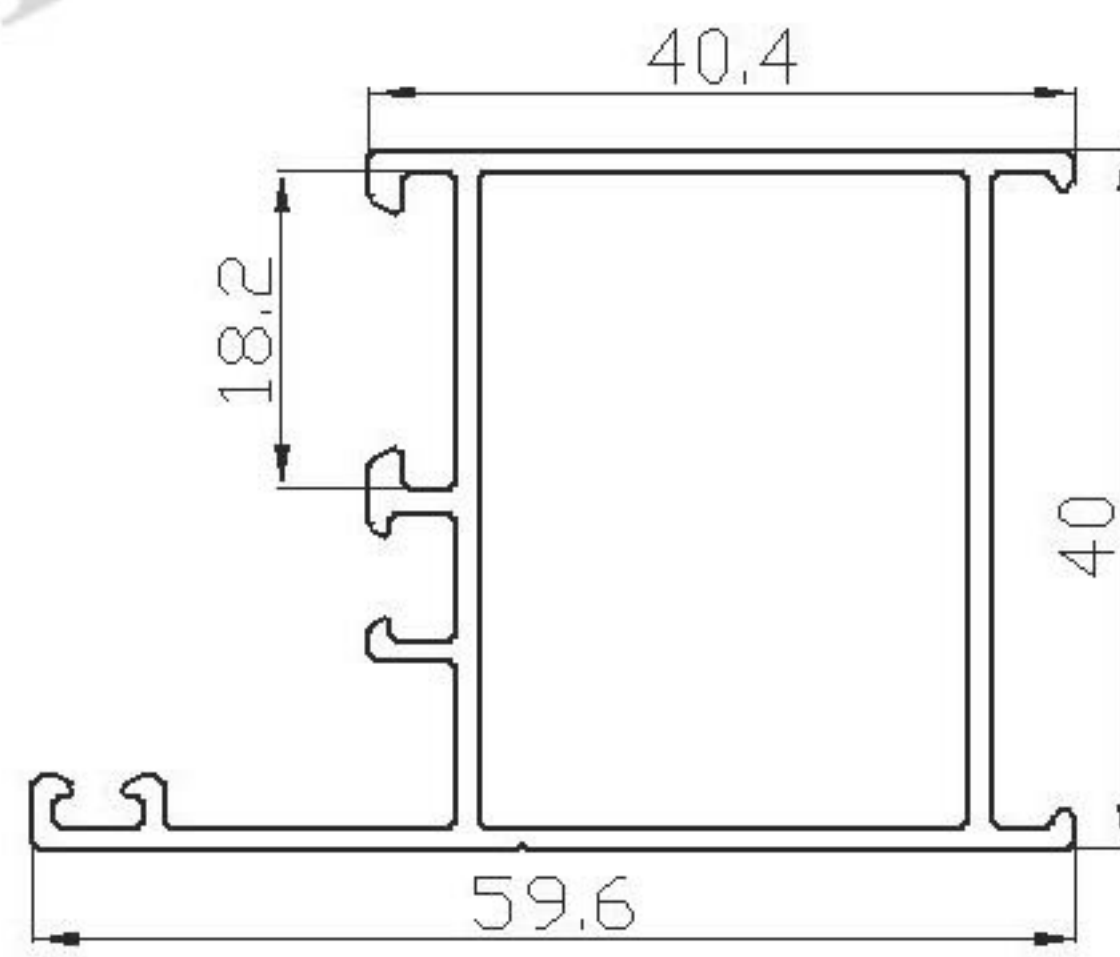
C1011



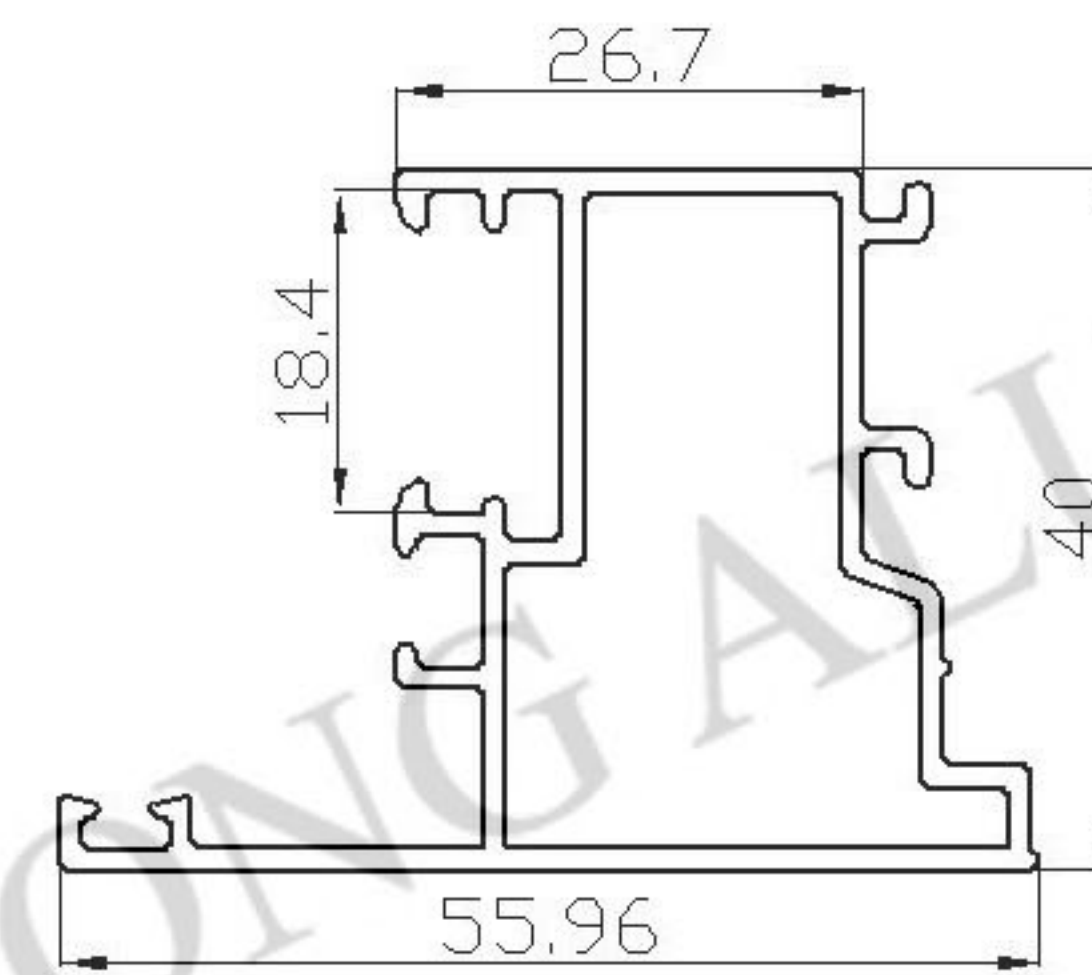
C1000



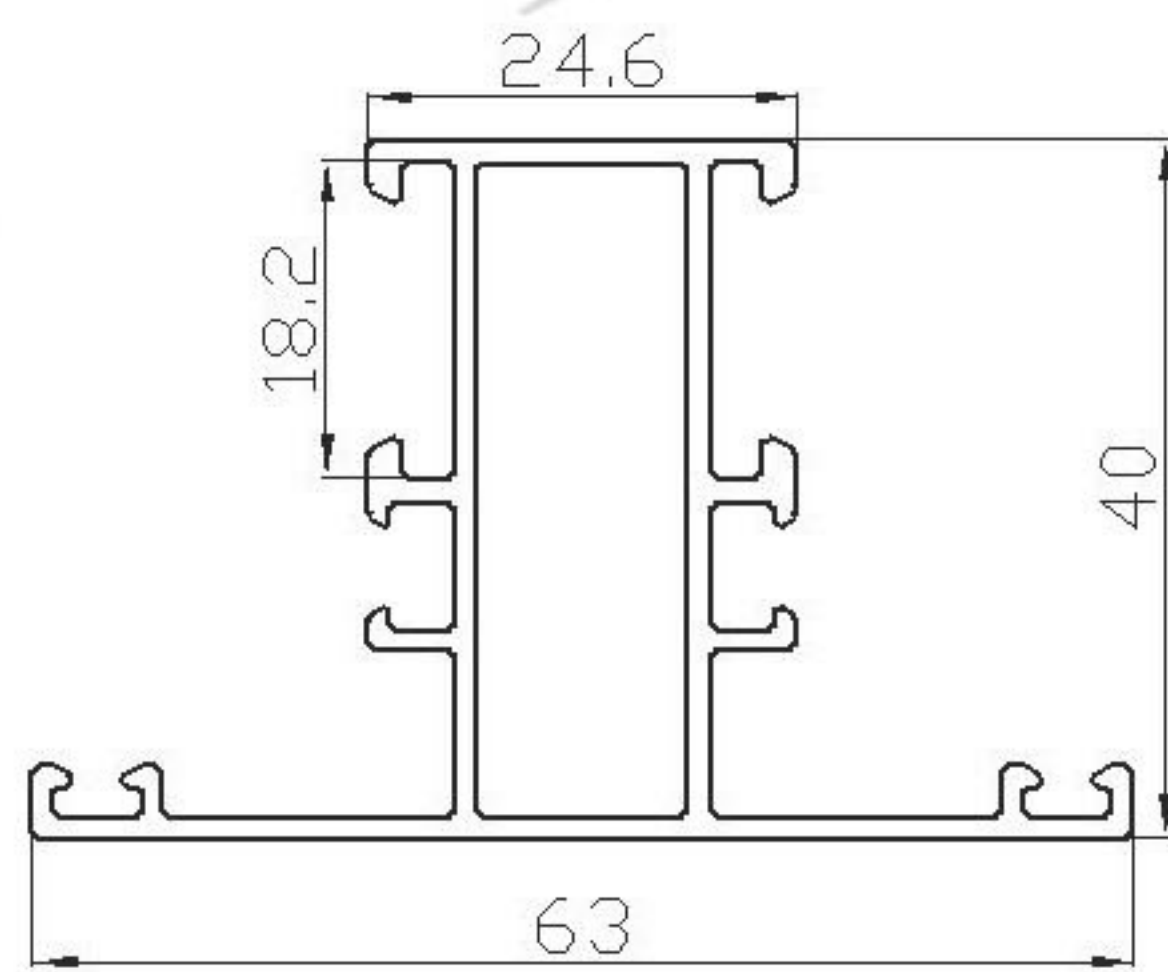
C1008



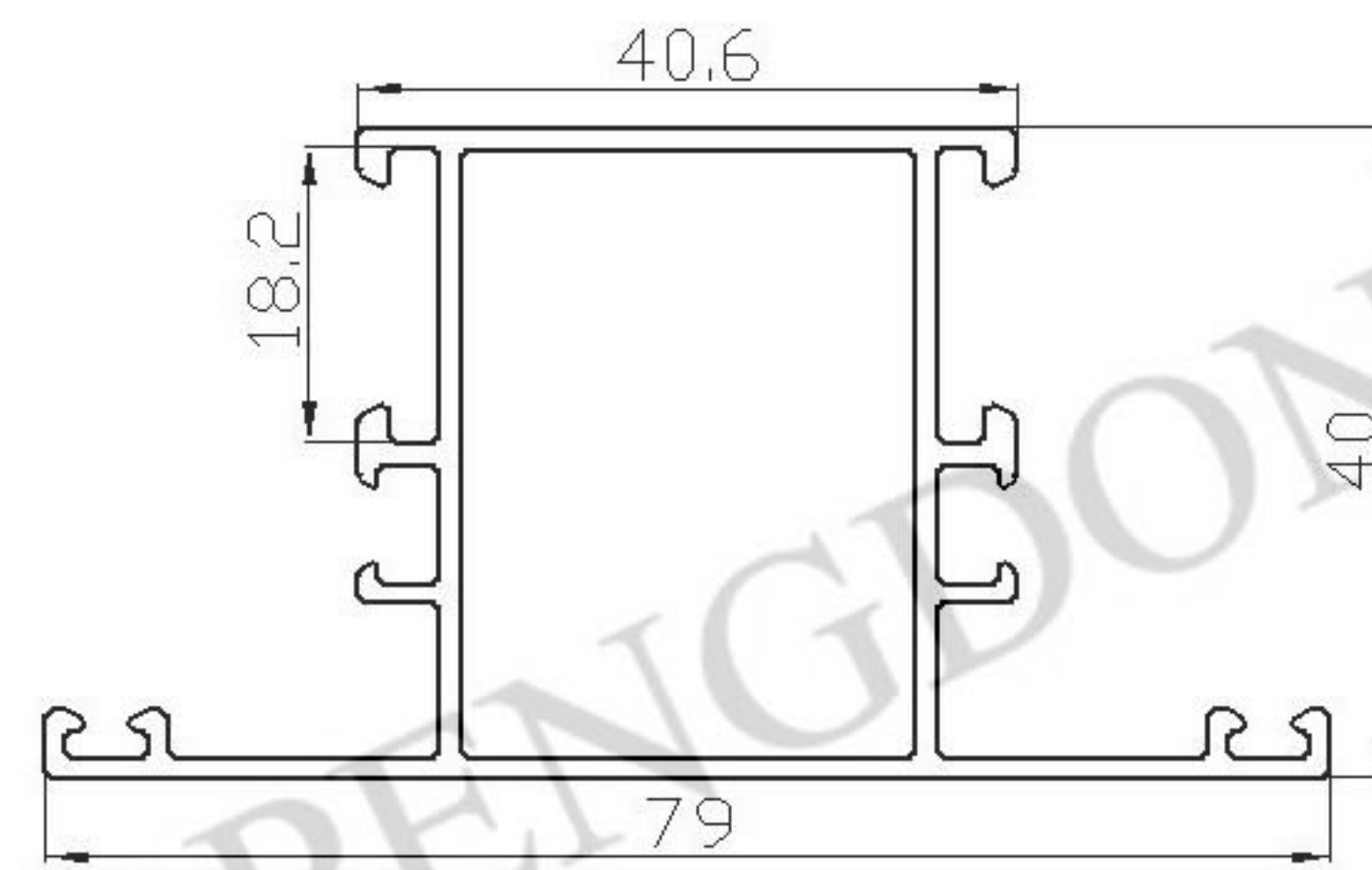
C1009



C1016



C1003



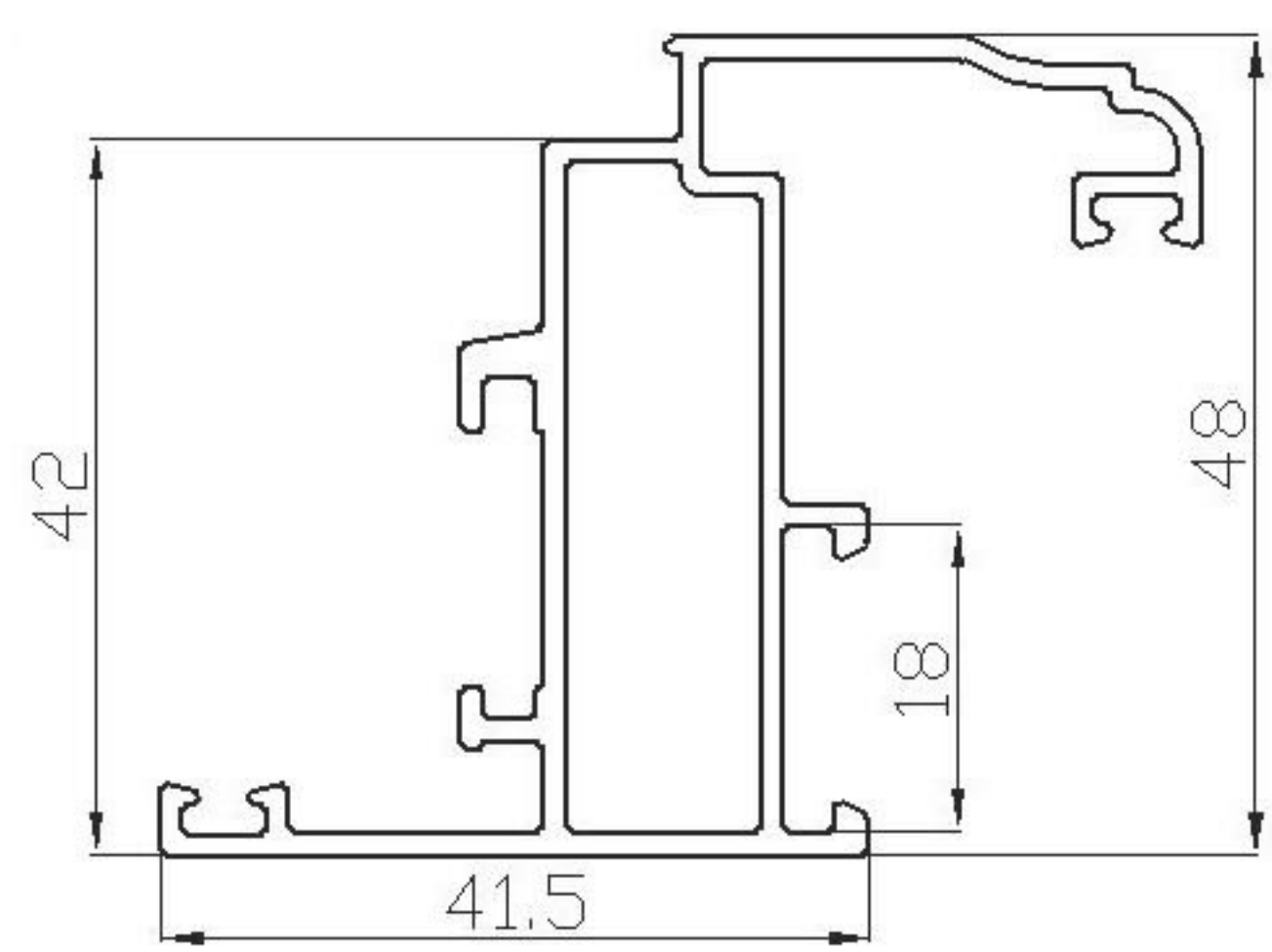
C1014

FOSHAN PENG DONG ALUMINUM CO.,LTD

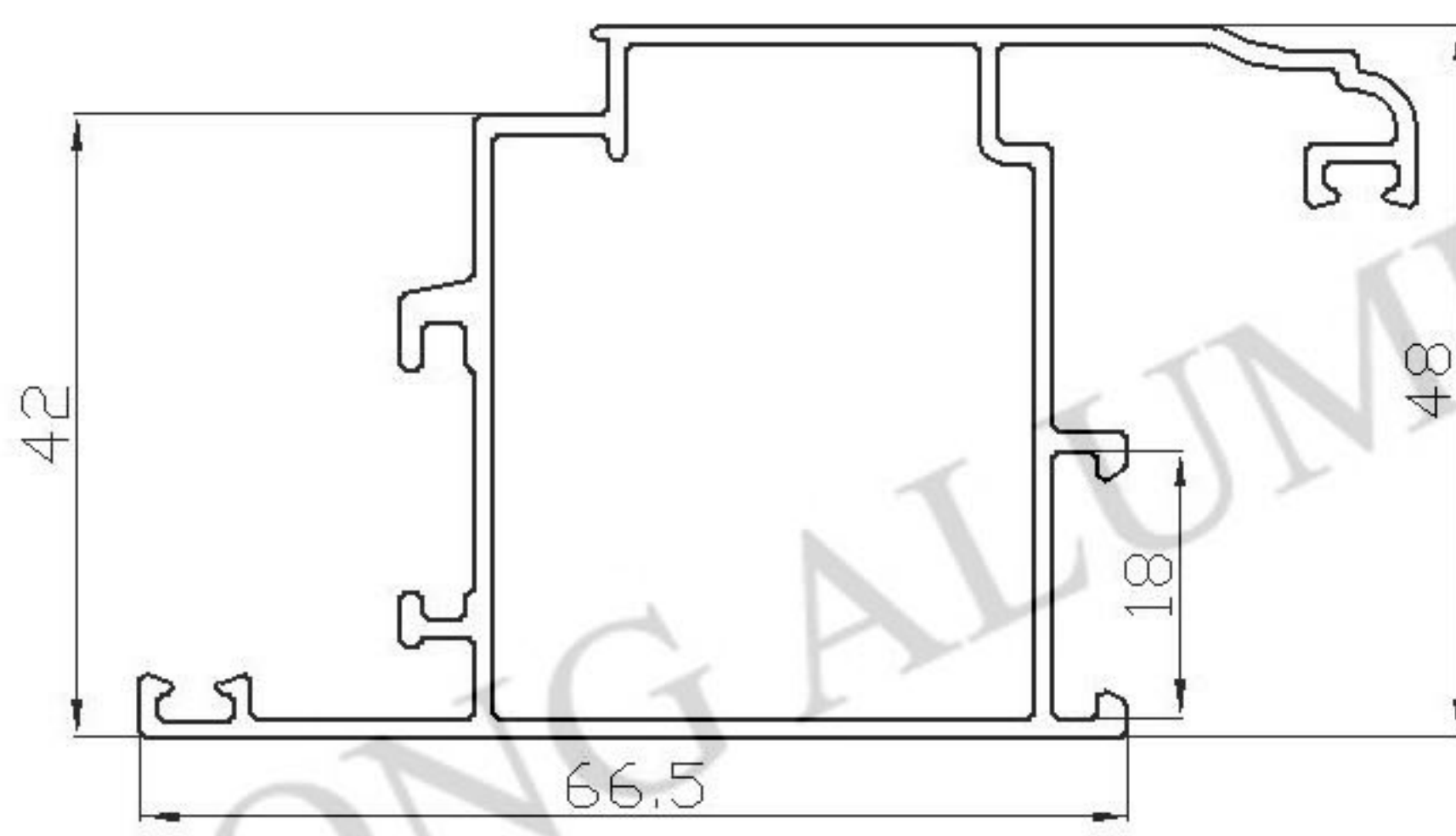
Email: backup@rx-alu.com

Tel:+86-757-83217977 / 83217223

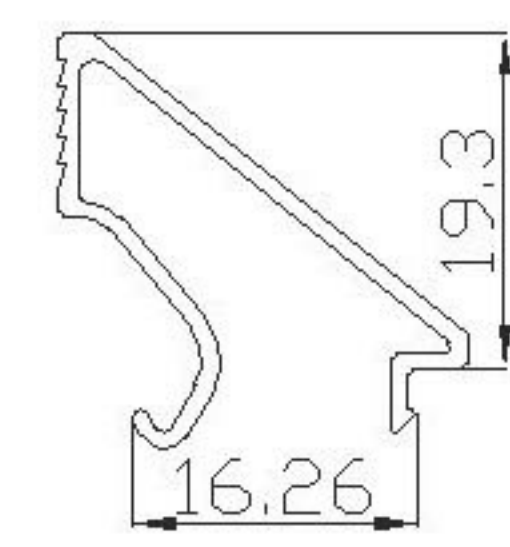
MAURITIUS SERIES 2 (WINDOWS AND DOORS)



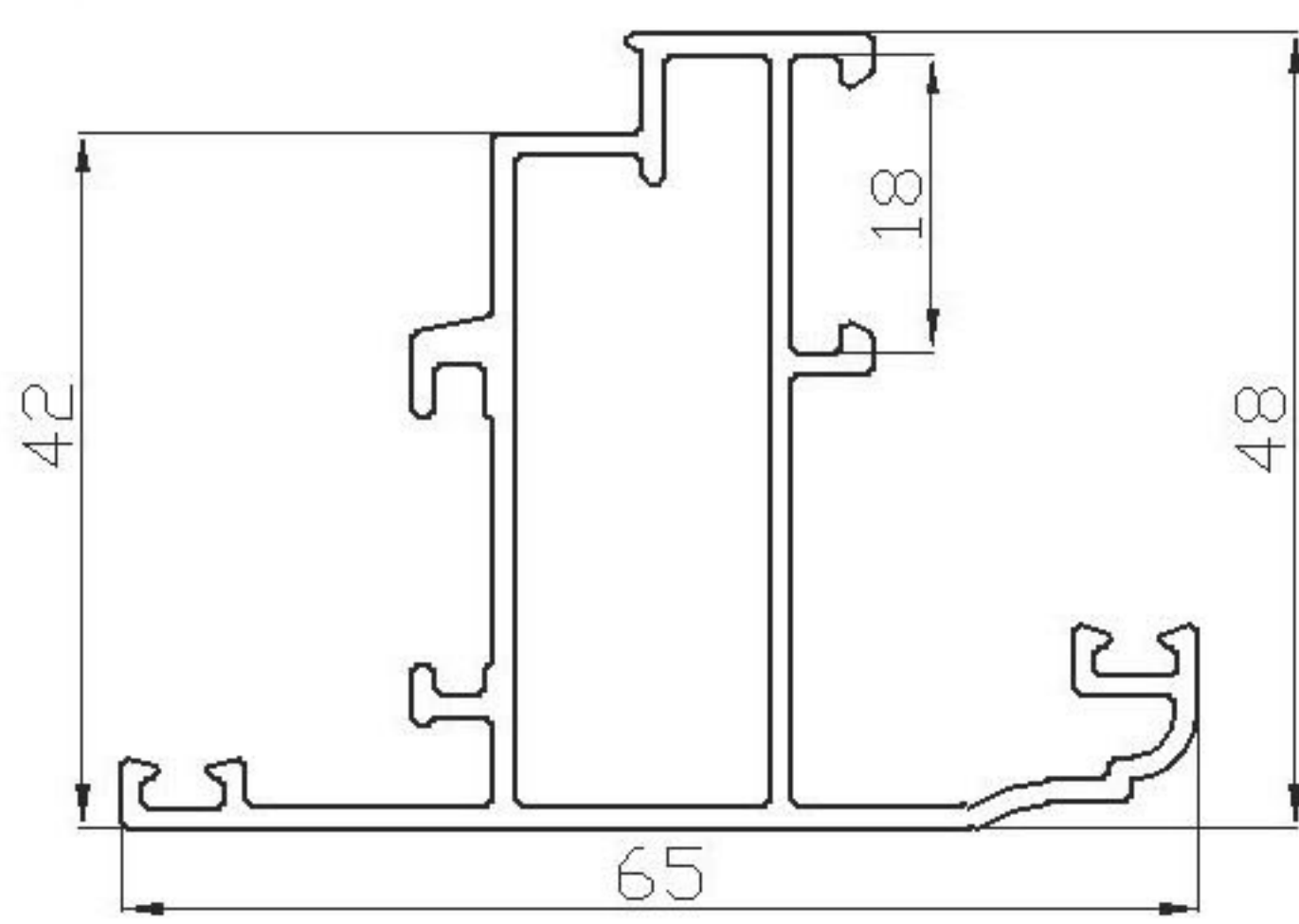
C1002



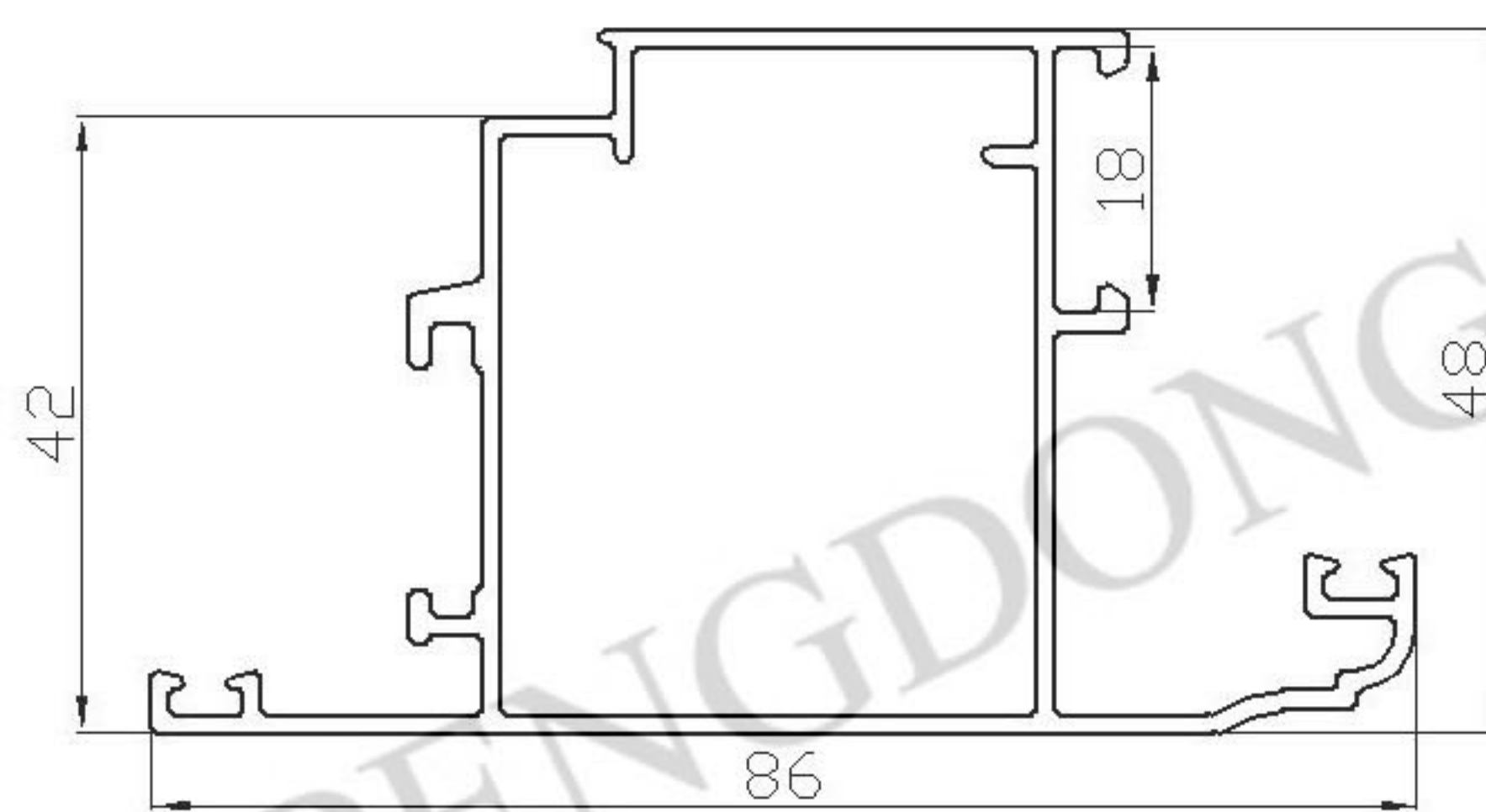
C1019



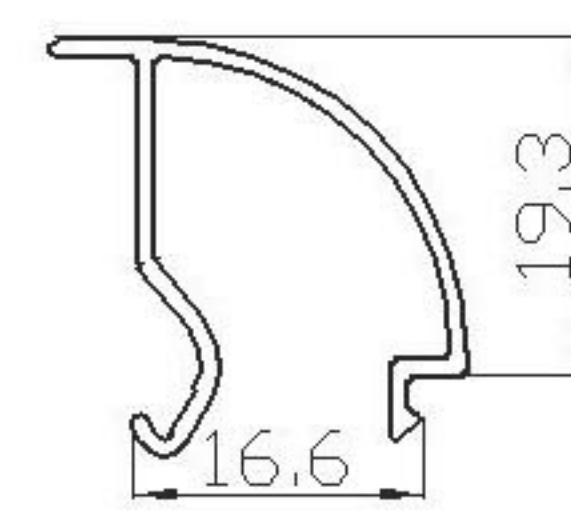
C1011



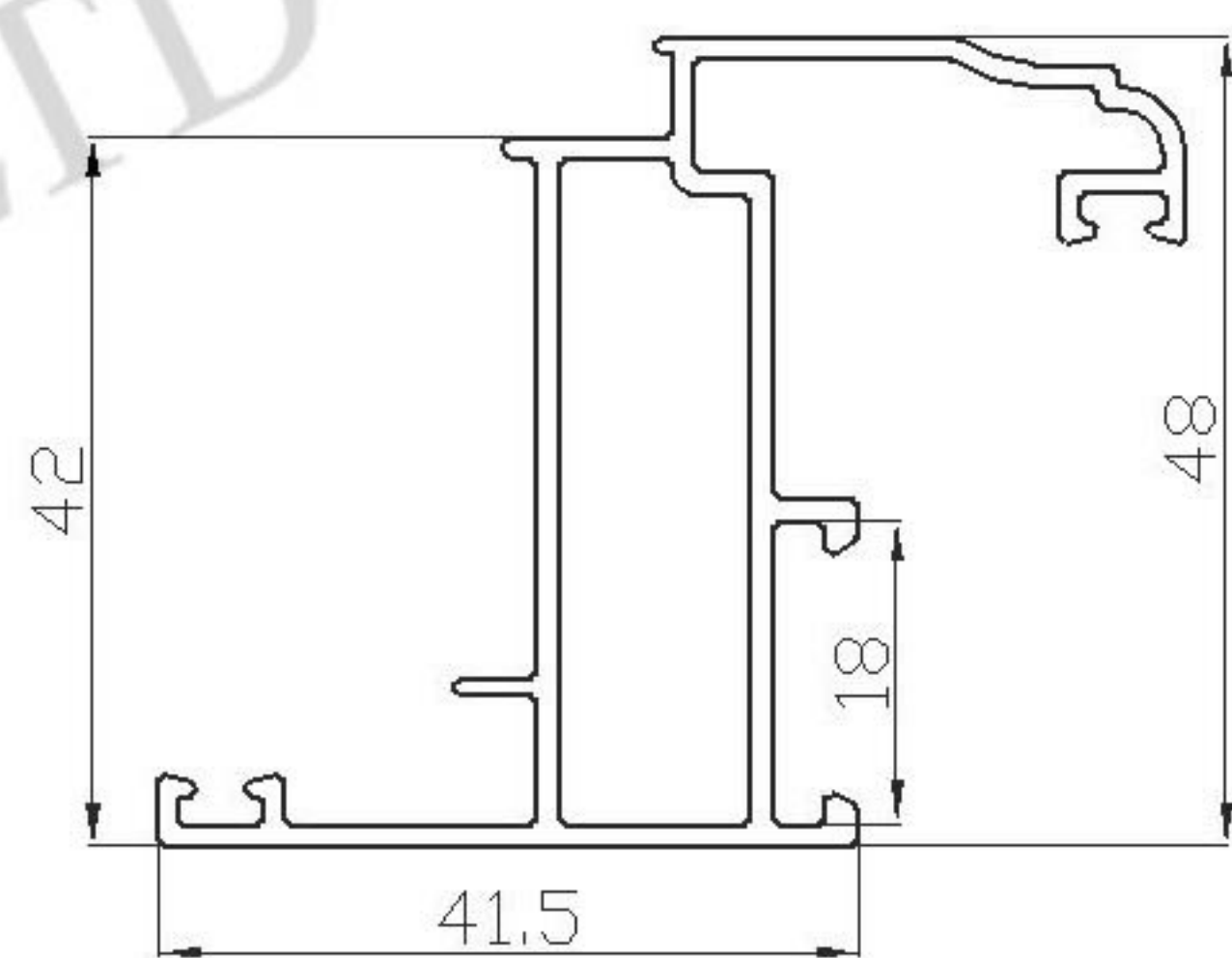
C1023



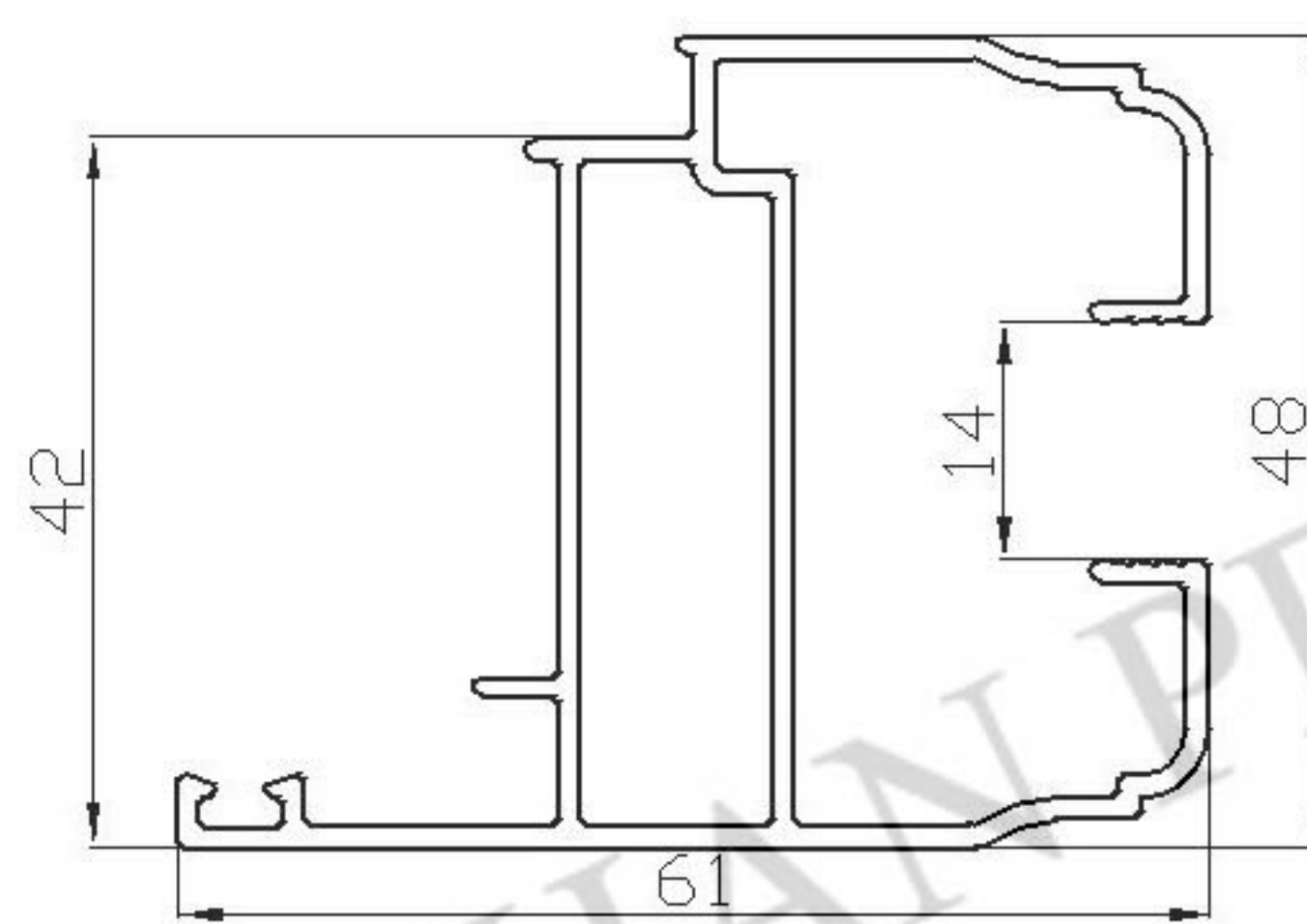
C1018



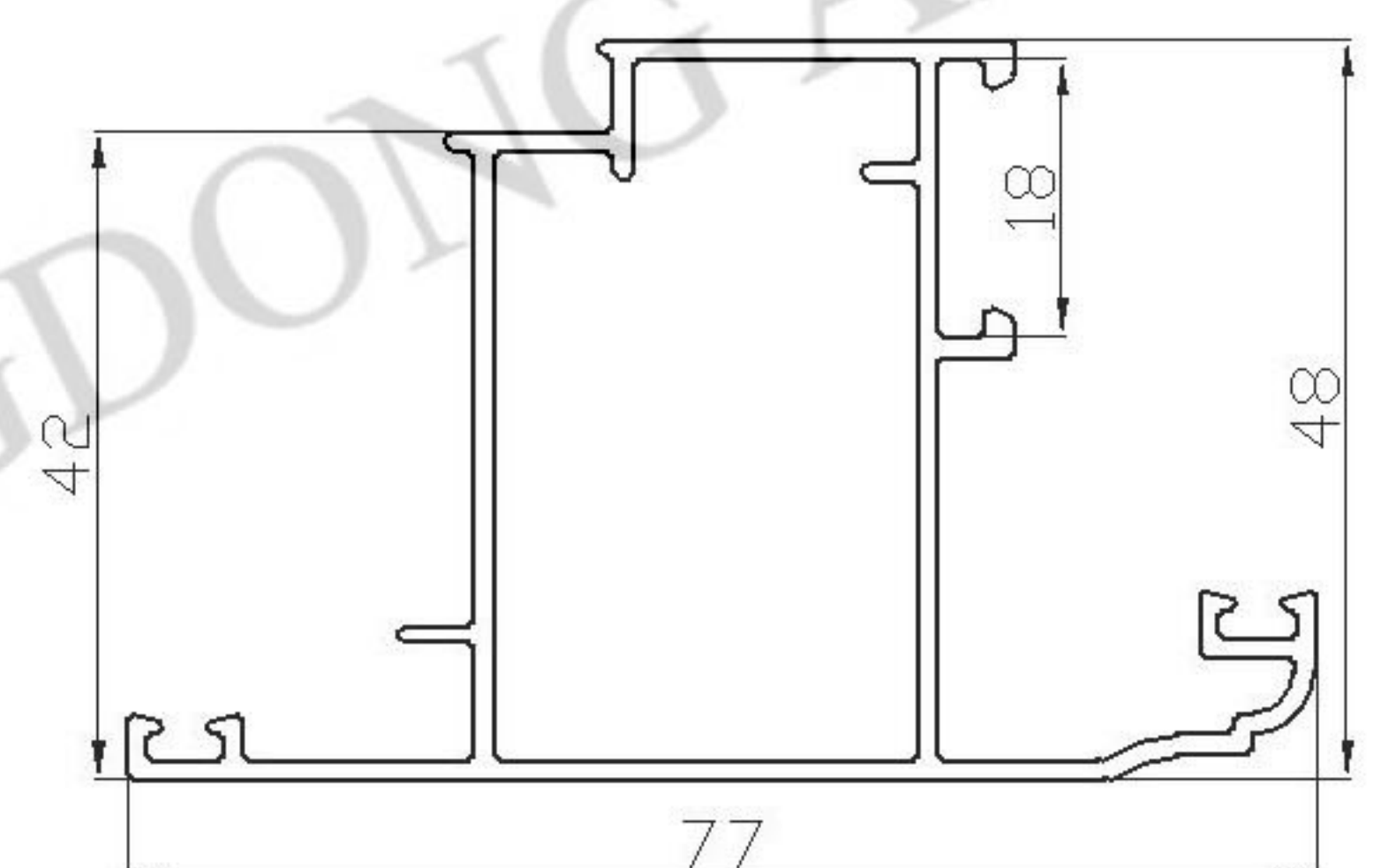
C1000



C1022



C1022I



C1032